

## GT GOLF Home Edition Online-Ready Update Instructions

### Update Contents:

- Update Memory Stick labeled “Golden Tee GOLF 2013 Version 8.01.XX”
- Security Chip labeled G13US-HEO-4
- Online Access Configuration Guide
- Update Instructions

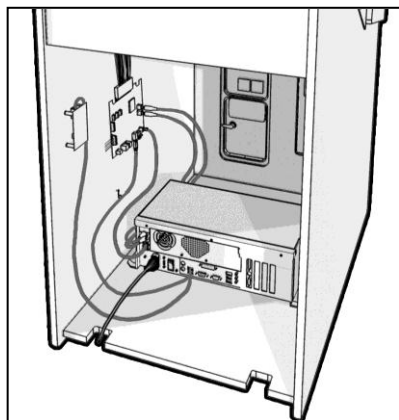
**Note:** The Online HE Manual is available on our web site:  
<http://amusement.itsgames.com/Amusement/Support/Manuals/>

Follow the steps on the following pages in the exact order listed to prevent damage to the Nighthawk System Box.

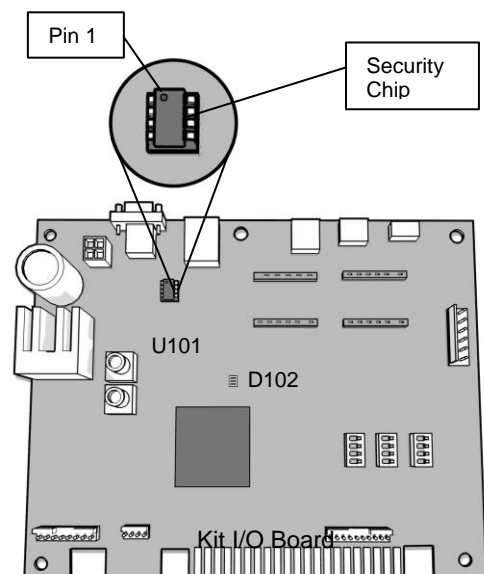
### Part 1: Install the Security Chip

1. Turn OFF all power to the game.
2. Carefully remove the socketed security chip found at U101 on the I/O Board. It is extremely important to note the orientation of the chip (with the small black dot on the same side as the USB ports). A small flat blade screwdriver works best.
3. *Make sure the new chip is oriented the same as the old chip before inserting it into the U101 socket.* Be sure the chip is seated properly with no bent pins.

**If the Security Chip is damaged, DO NOT THROW IT AWAY. It is required when purchasing a replacement.**



Location of the I/O Board wall mounted inside a dedicated cabinet.



Example of a KIT I/O Board with a security chip. Some I/O Boards may not have the JAMMA Connector.

## Part 2: Install Memory Update Stick

Please remember it is important to KEEP the update stick for future updates. The update stick can be used for an unlimited number of updates. DO NOT DISCARD.

### Update from Under Control Panel (Showpiece Cabinet)

1. Turn OFF all power to the machine.
2. Turn the key at the back of the Showpiece cabinet to unlock the control panel box and lift up the hinged control panel.
3. Locate the open USB port on the back of the system box.
4. Insert the memory update stick into the USB port.
5. Continue with Part 3 to complete the update.

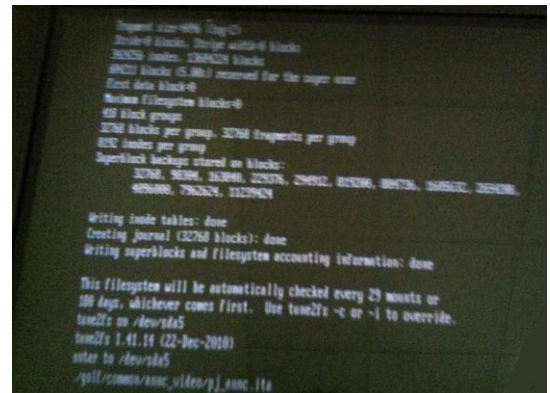
## PART 3: Perform Software Update

1. Turn ON power to the game. **It is important to prevent losing power or turning off the game during this software update!**
2. The game should automatically detect the update stick and run the Installer program. It is possible that on some systems the game might reboot again before running the Installer program.

**WARNING: If Error Message 6 or 12 displays, the wrong USB cable was disconnected.**  
 Turn OFF power, replace the cable, select a different USB port and try again.  
 If the initial update speed is not ideal, more than one reboot may occur.

3. The Installer will read the CID, I/O Board, and Nighthawk system box to make sure this upgrade is possible.
4. Press Start to connect to ITNet for authorization.(the installation of the software upgrade will begin). The upgrade will take about 20-30 minutes to complete. Please be patient during this process.

**Note:** A graphical progress bar does not exist in this version of the Update Software. The screen display looks similar to the screen at right during the boot up process.



**Important! Do not lose power or turn off the game after the start button has been pressed or any time while the update is in progress.**

5. When the install is complete, the Installer prompts to turn OFF the game, remove the memory update stick, reconnect the original USB cable (if removed), and then turn the game back ON.
6. Once complete, enter the System Setup menus and verify that the software version is **Version 8.01.XX**.

**Any advertisements placed on the machine with AdWiz using a memory stick will no longer be available. They must be reloaded. Online advertisements will return within 12 hours.**